



METAL PANEL TURN UP TOOL

13125 Deer Lake Dr., Memphis, IN 47143
(812) 248-4788 www.metaltools.com

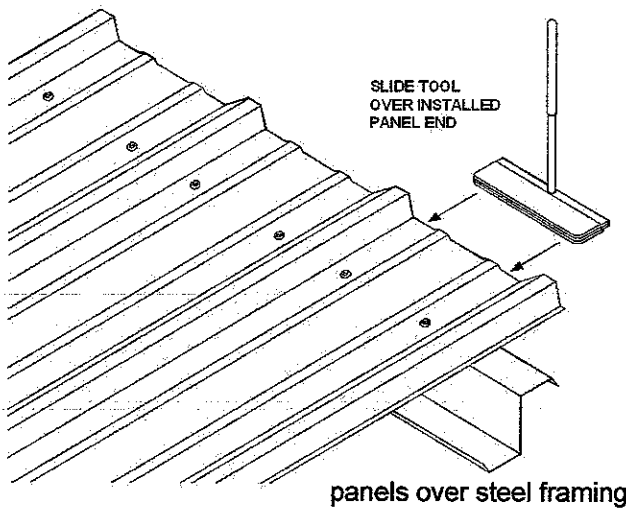
- 8.5"
- 7"

RECOMMENDED INSTRUCTIONS

ASSEMBLY

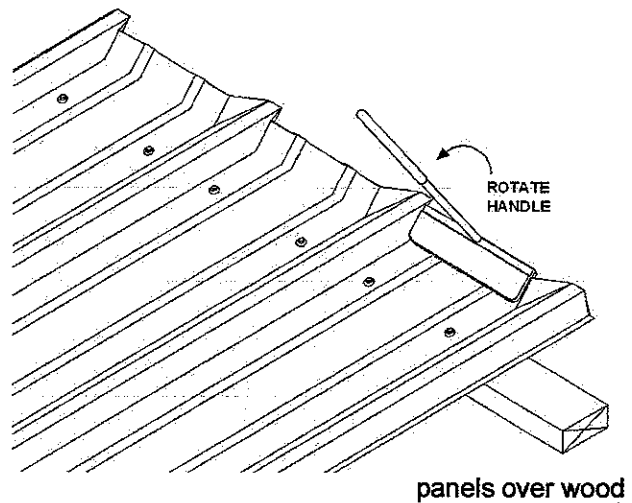
THREAD HANDLE INTO TOOL ON SAME SIDE THAT LABEL IS AND FIRMLY TIGHTEN

HIGH SIDE



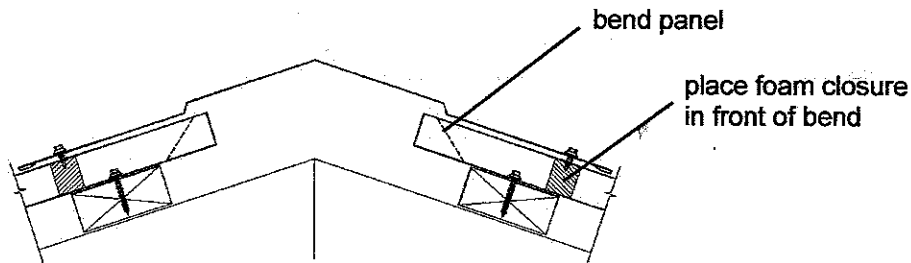
STEP 1

Insert Turn Up Tool on to panel end between ribs.



STEP 2

Rotate handle to bend panel up.



- Notes: *Turn Up Tool will bend roofing panels up to 24ga. thickness.
*Turn Up Tool can also be used to form a vented ridge.